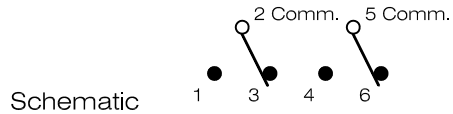
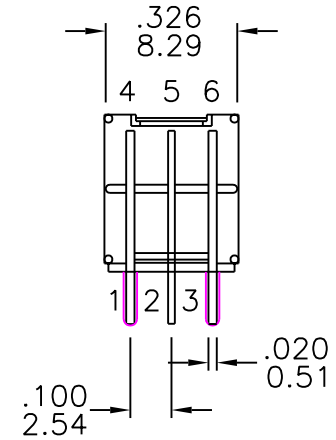
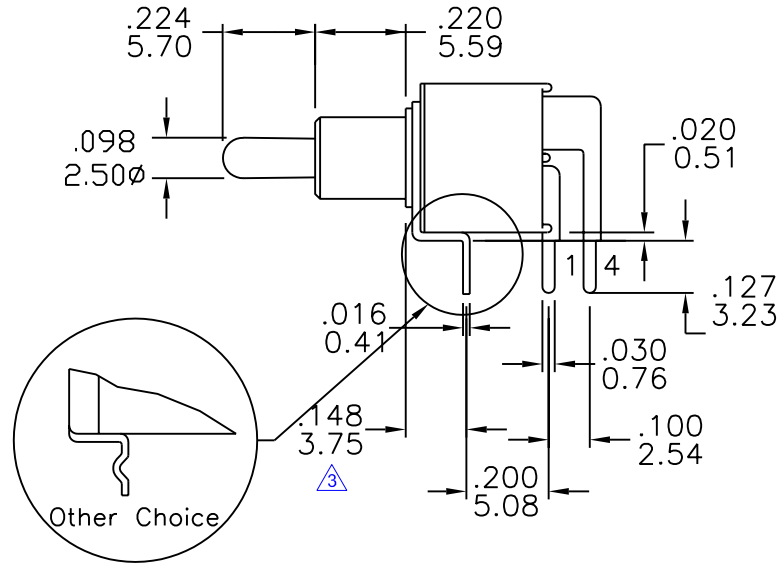
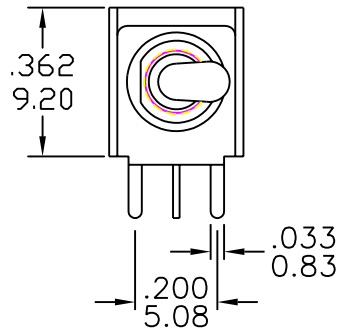


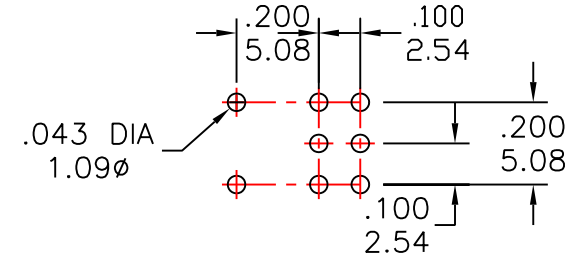
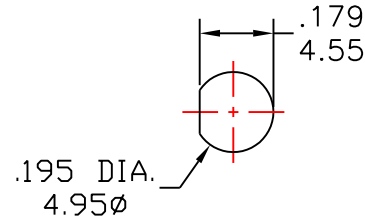
TS-7-TE1 DIMENSIONS



PANEL MOUNTING

P.C. MOUNTING

Model No.	Switching Position		
TS-7	ON	NONE	ON
TS-7A	ON	OFF	ON
TS-7B	ON	NONE	(ON)
TS-7H	(ON)	OFF	(ON)
TS-7I	ON	OFF	(ON)
Term. Comm.	2-3,5-6	OPEN	2-1,5-4



3	3	尺寸3.58改為3.75	11.09.15	General Tolerance		Part no. TS-7-TE1	SH 興瀚企業股份有限公司	SALECOM. ELECTRONICS CO., LTD.	Approved	
				Range	Tolerance				Checked	
2	2	更正尺寸	06.11.23	0 ~ 1	±0.10	Dwg no. SWTS-7-001	Scale 2:1		Drawer	
				1 ~ 4	±0.20				Jessica	
1	1		03.12.01	4 ~ 16	±0.30	Part Name. TS40-T/DPDT Sub-miniature Toggle Switches	Unit m/m (inch)	Rev. 3	Date	
									2011.09.15	